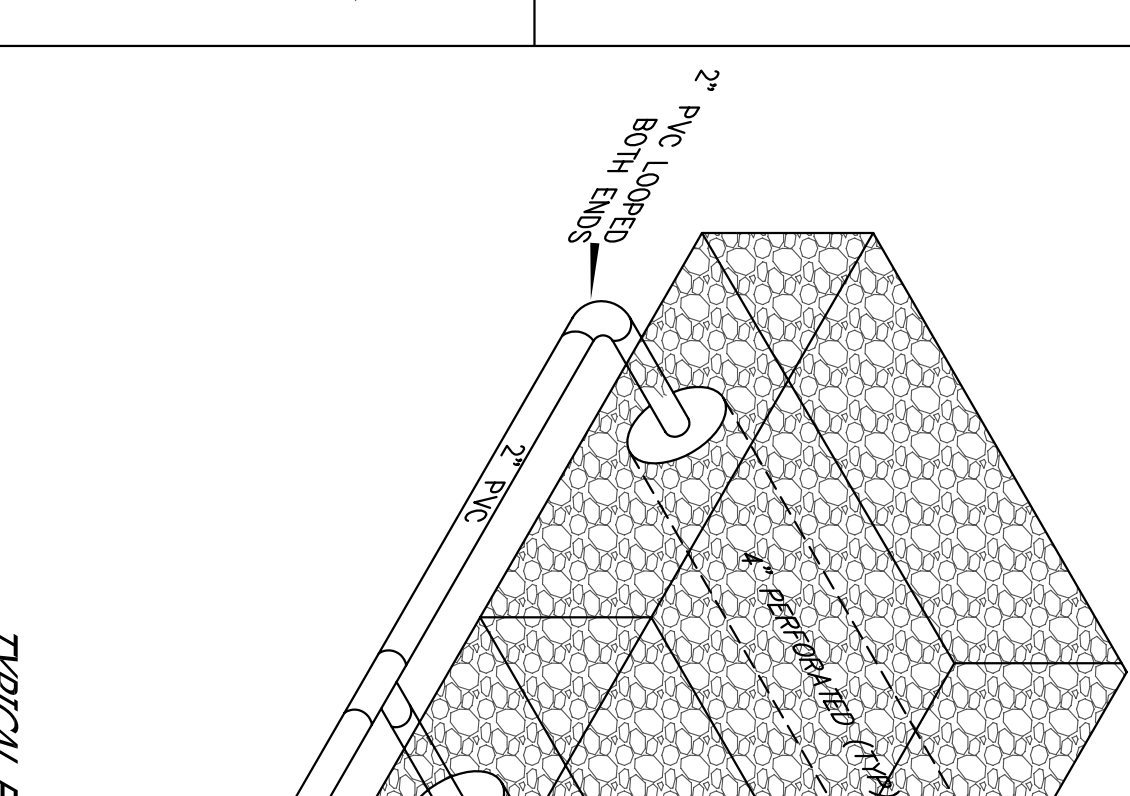
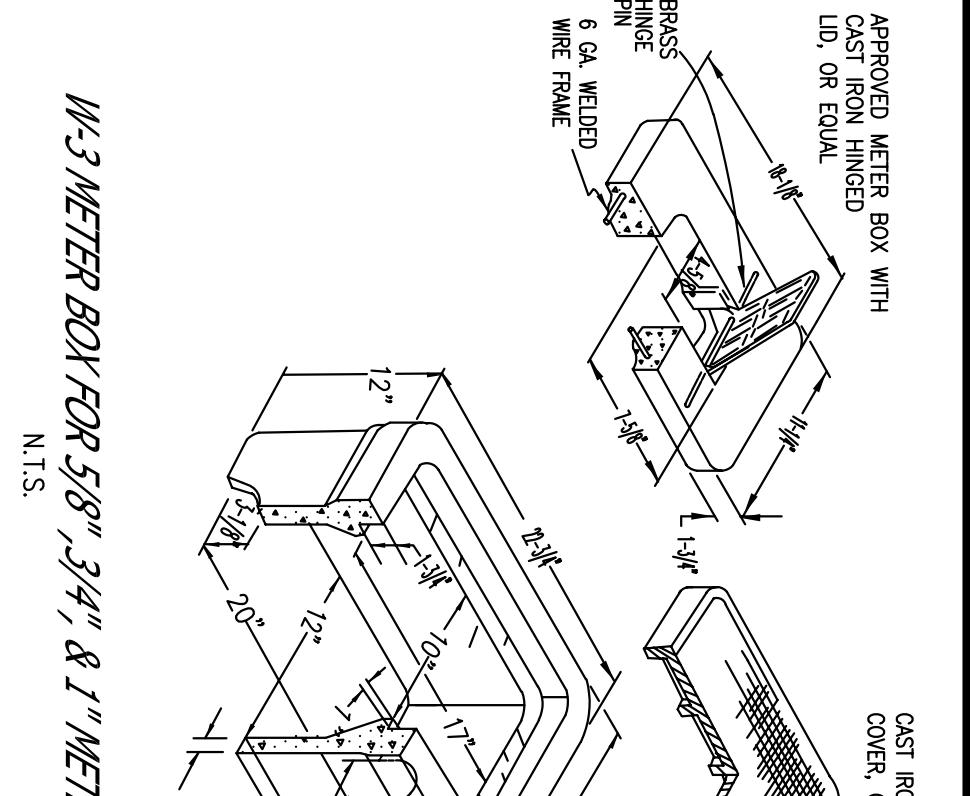
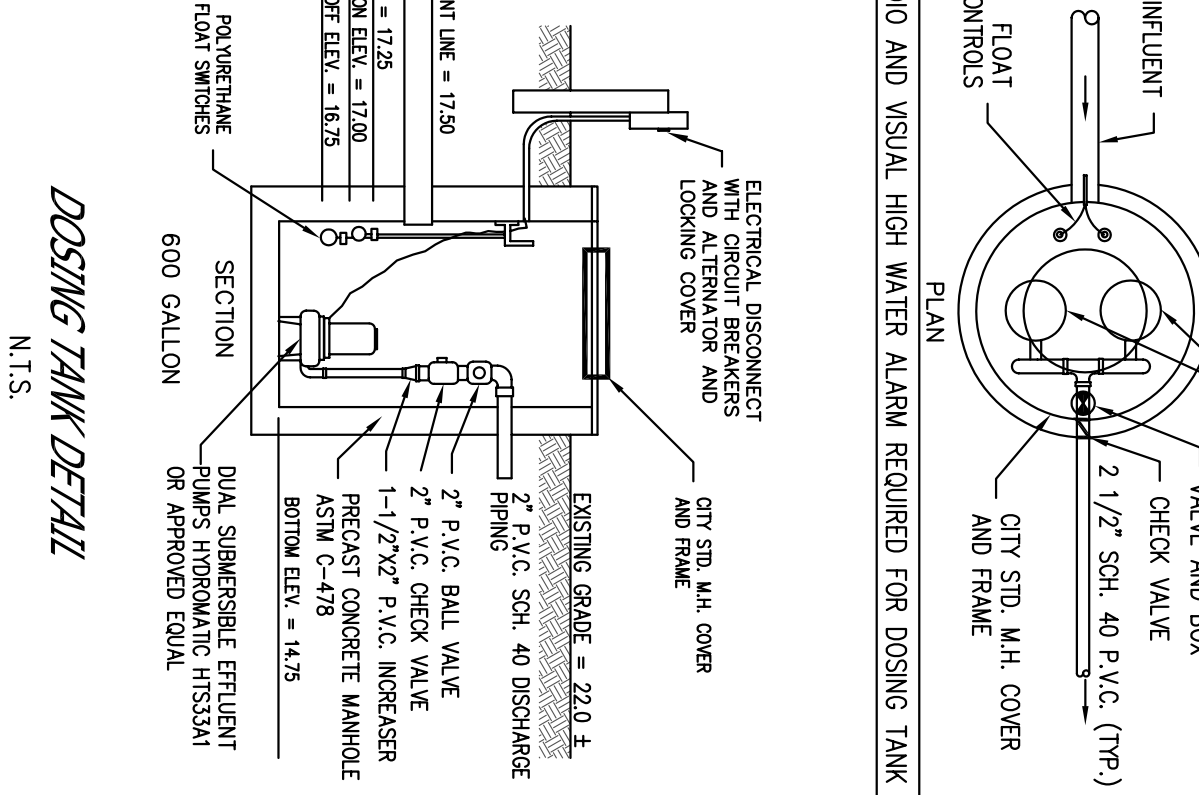
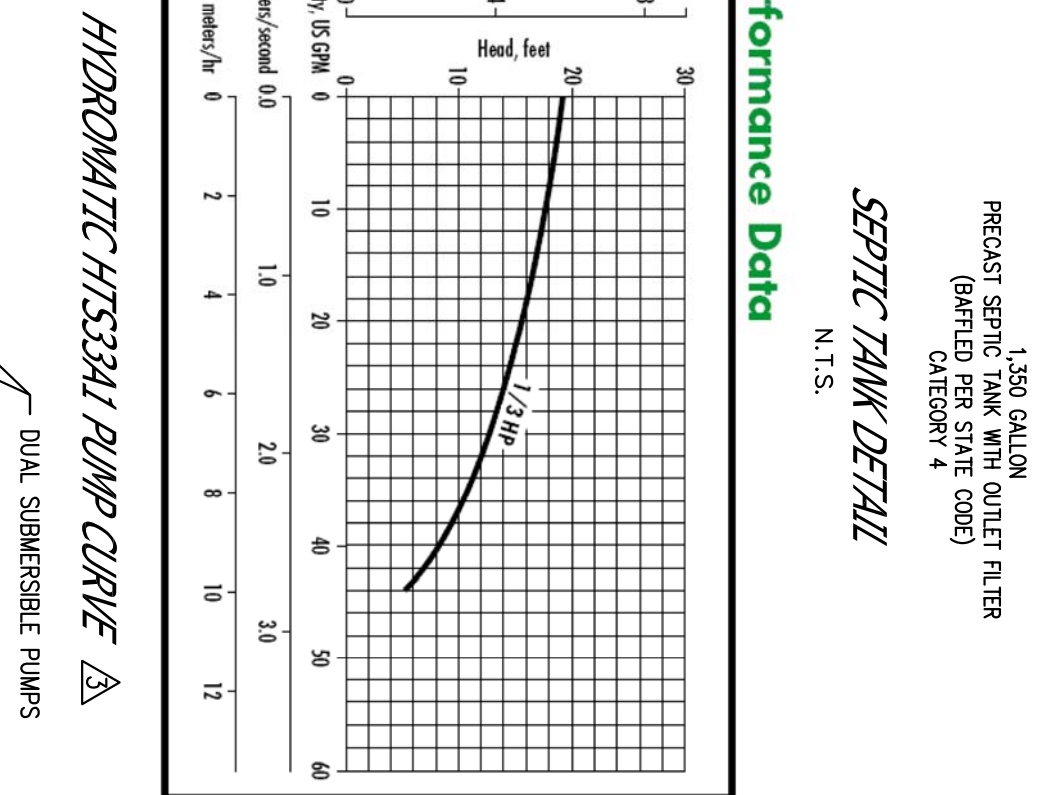
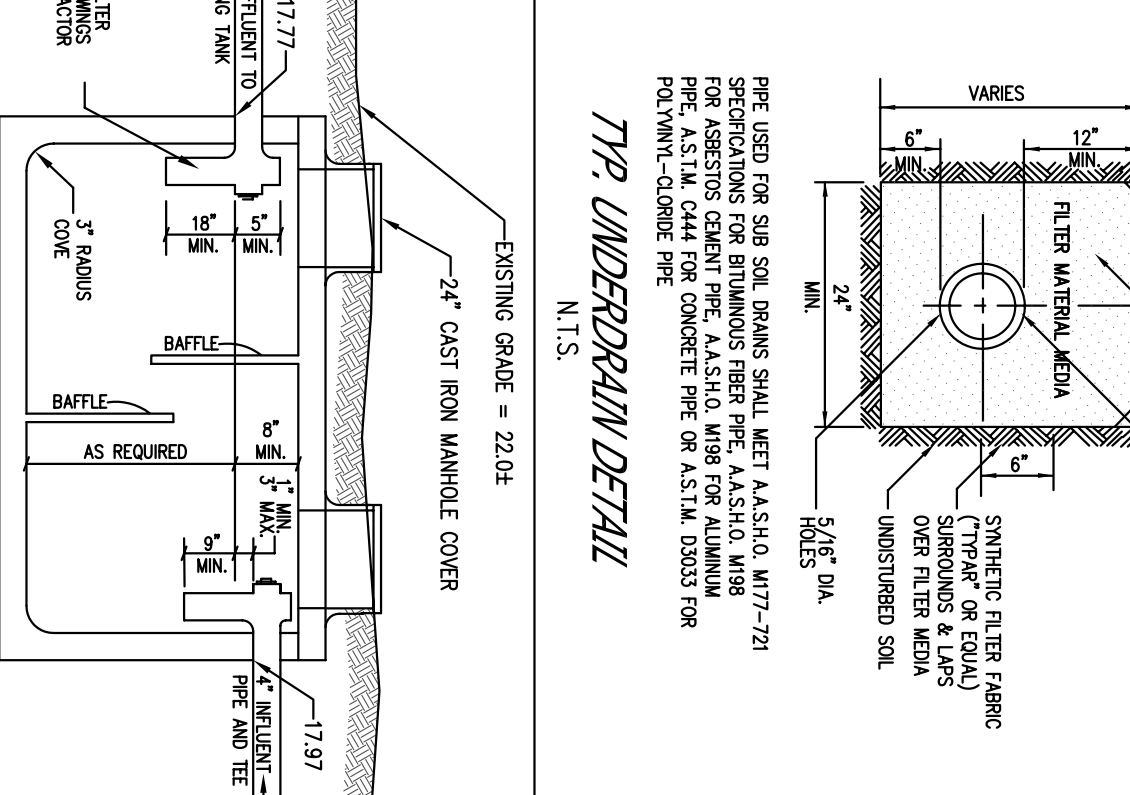
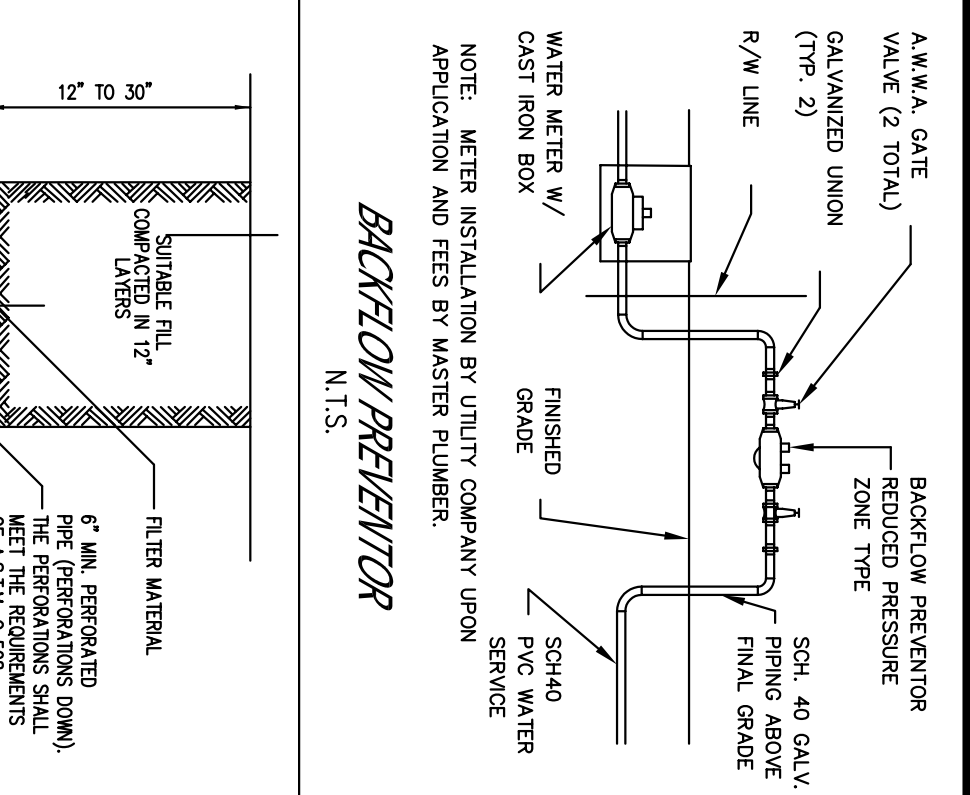
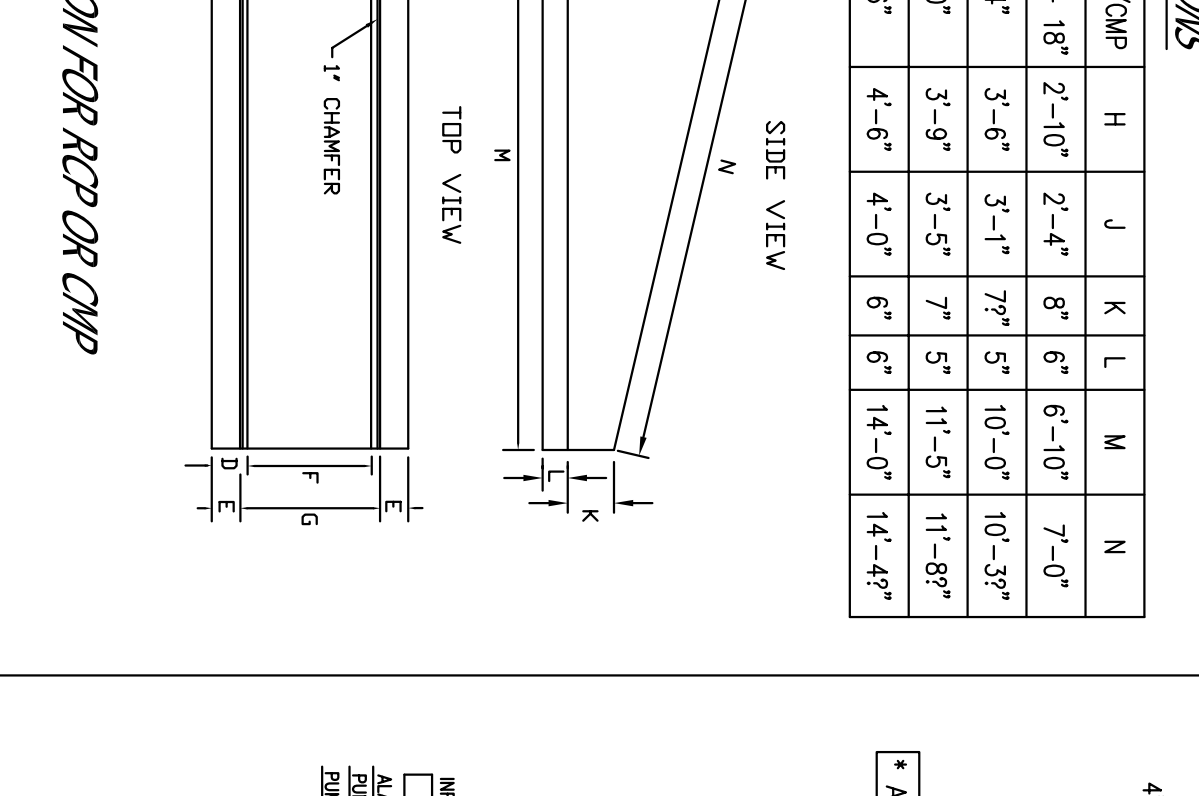


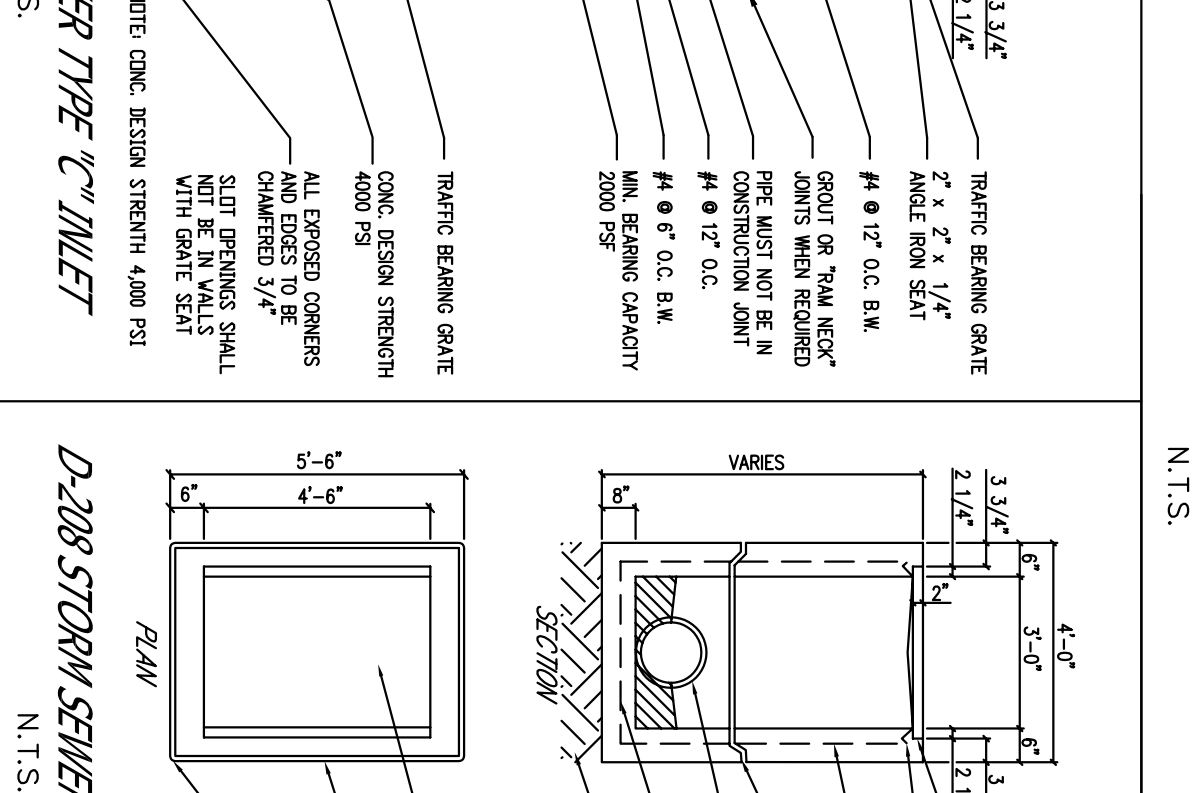
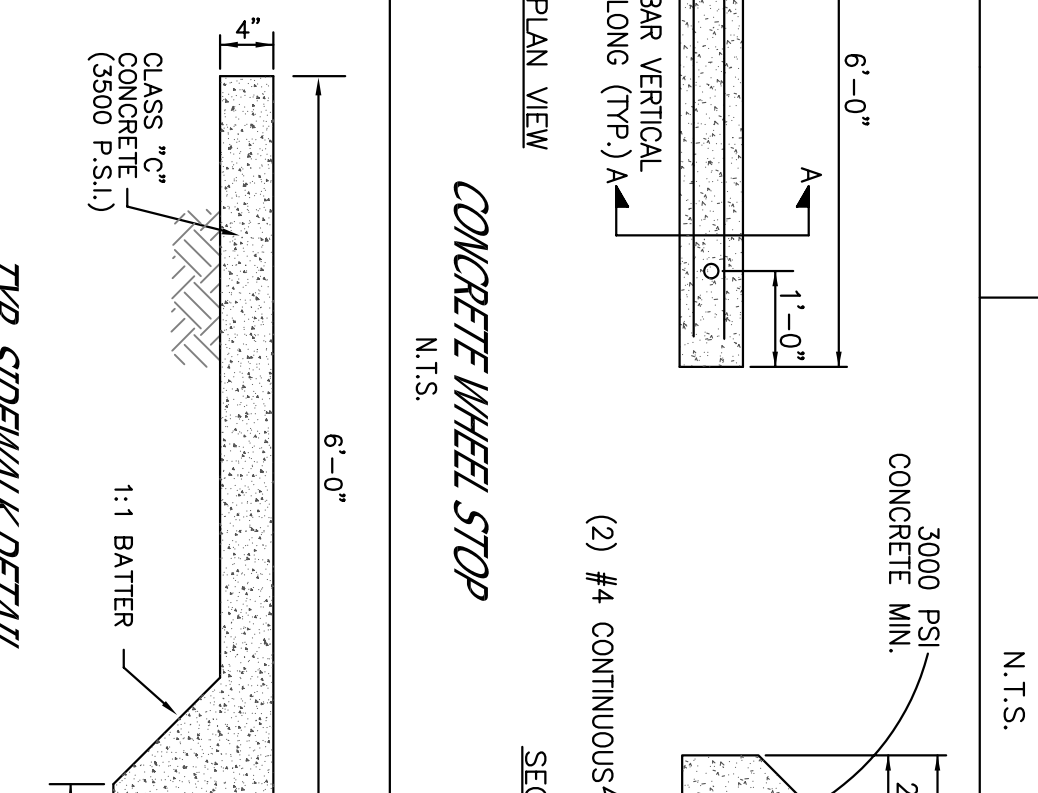
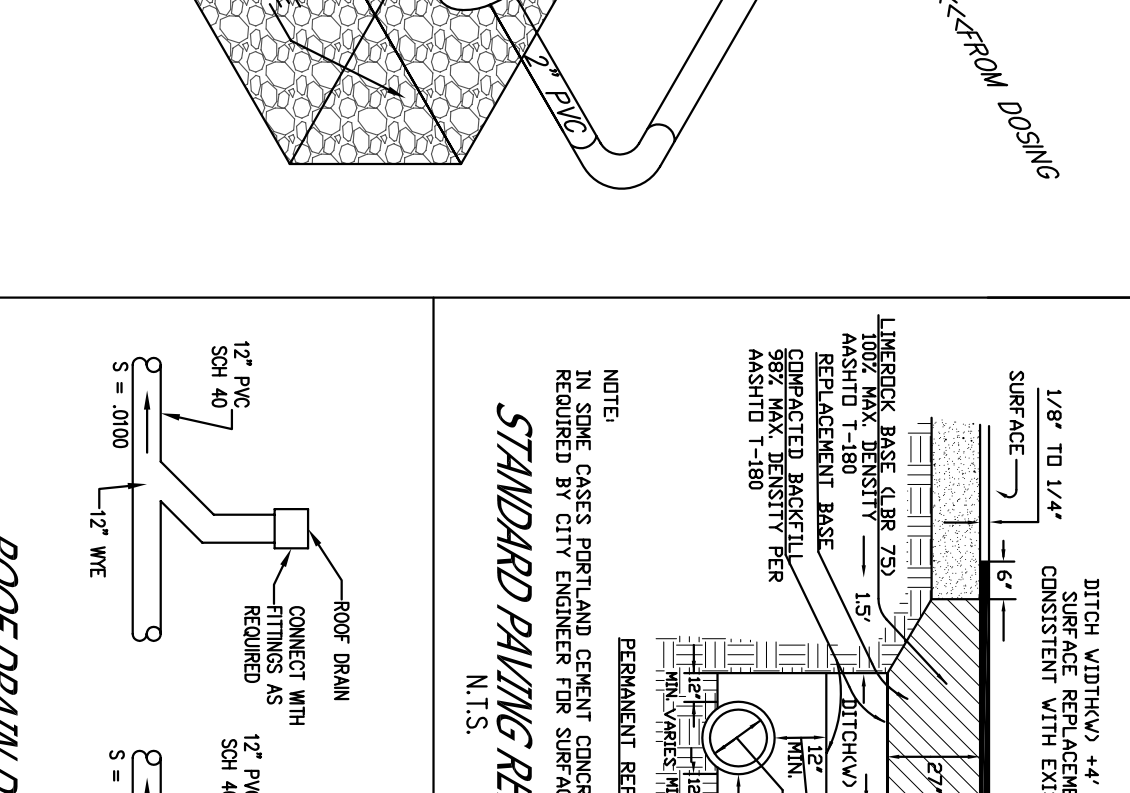
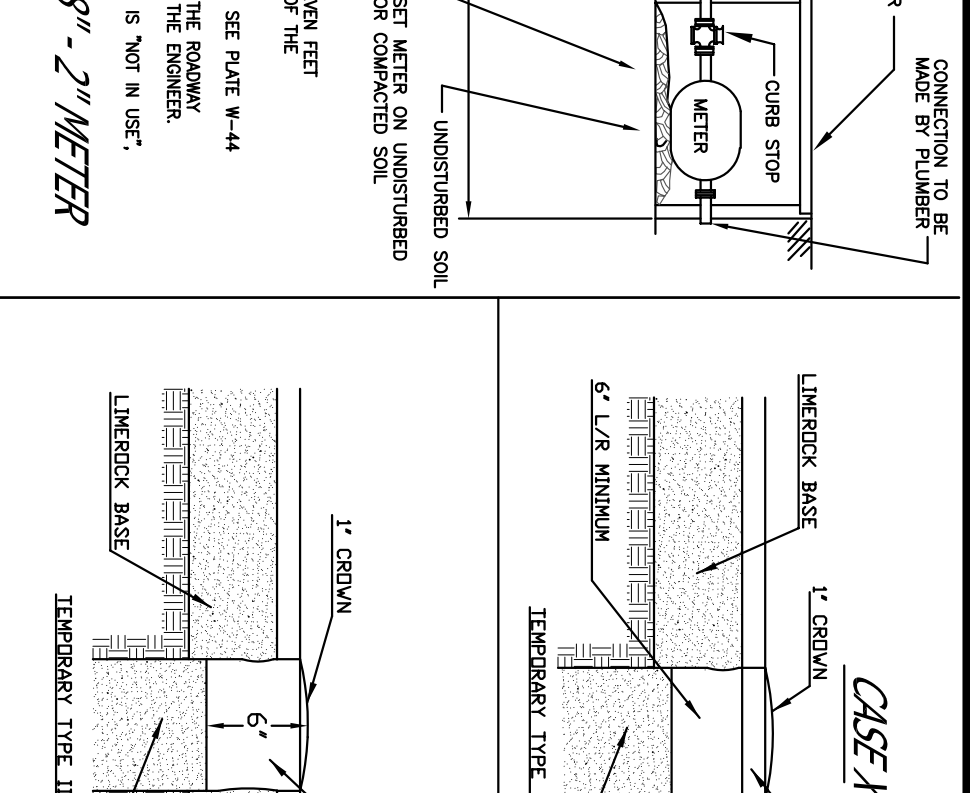
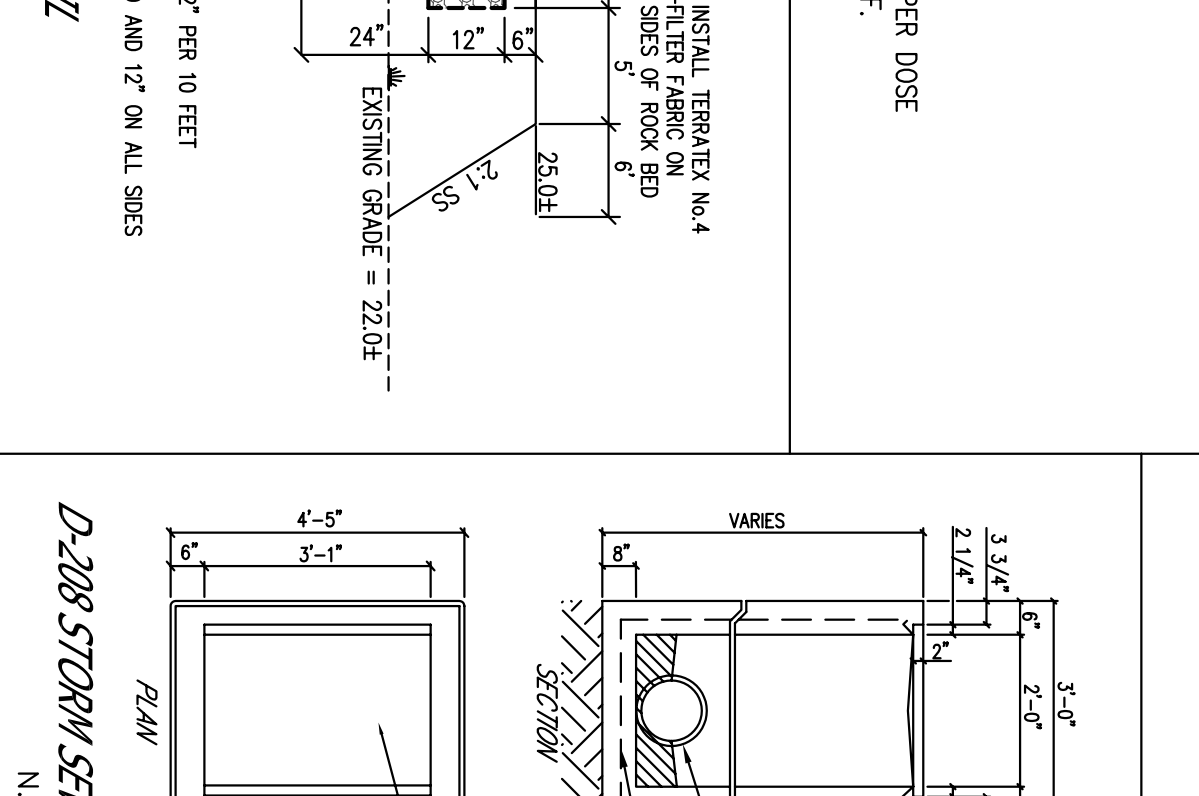
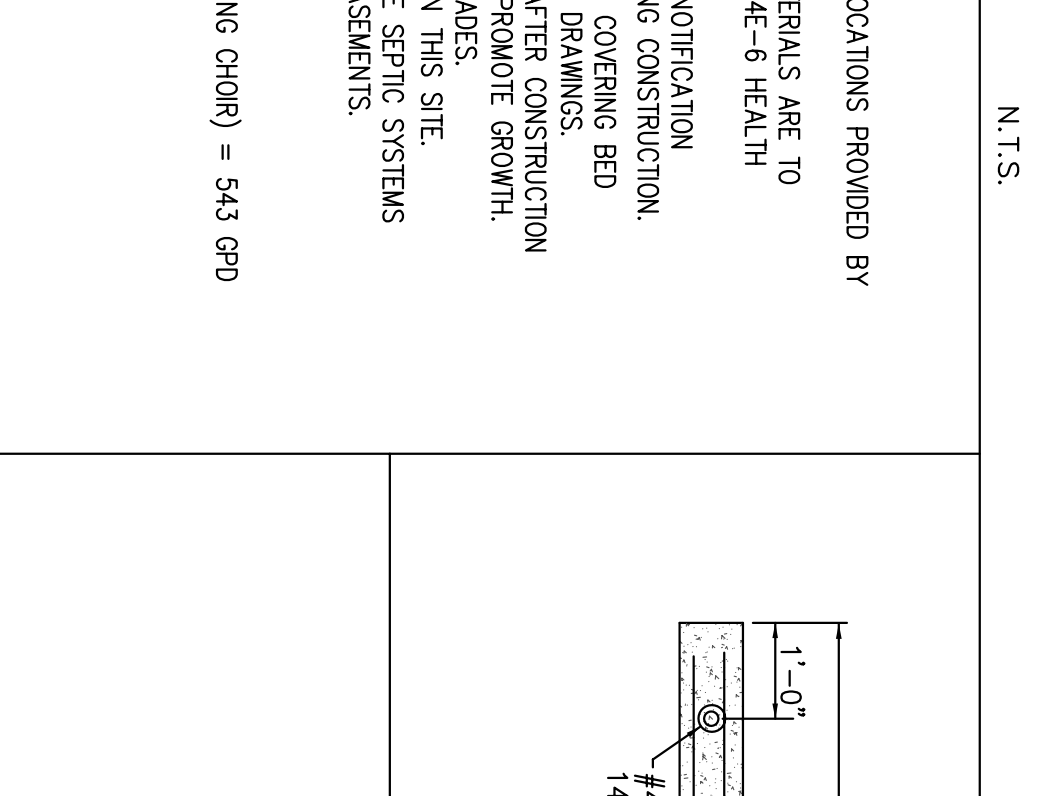
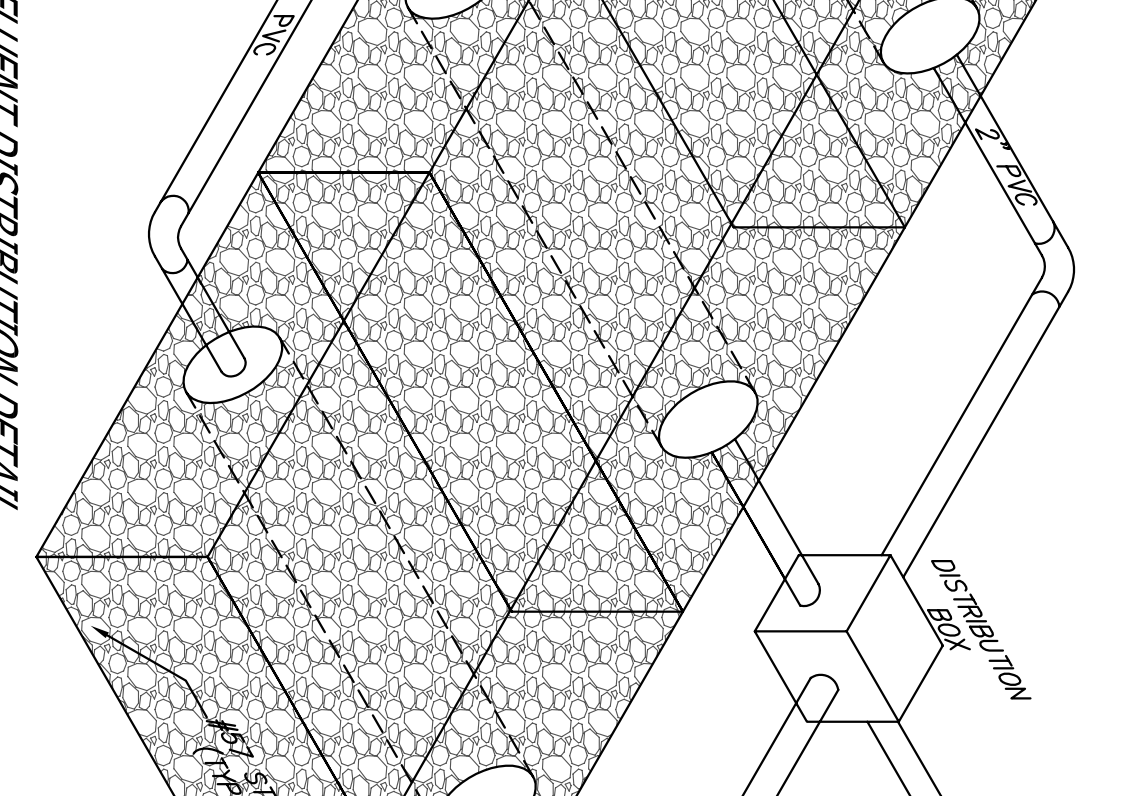
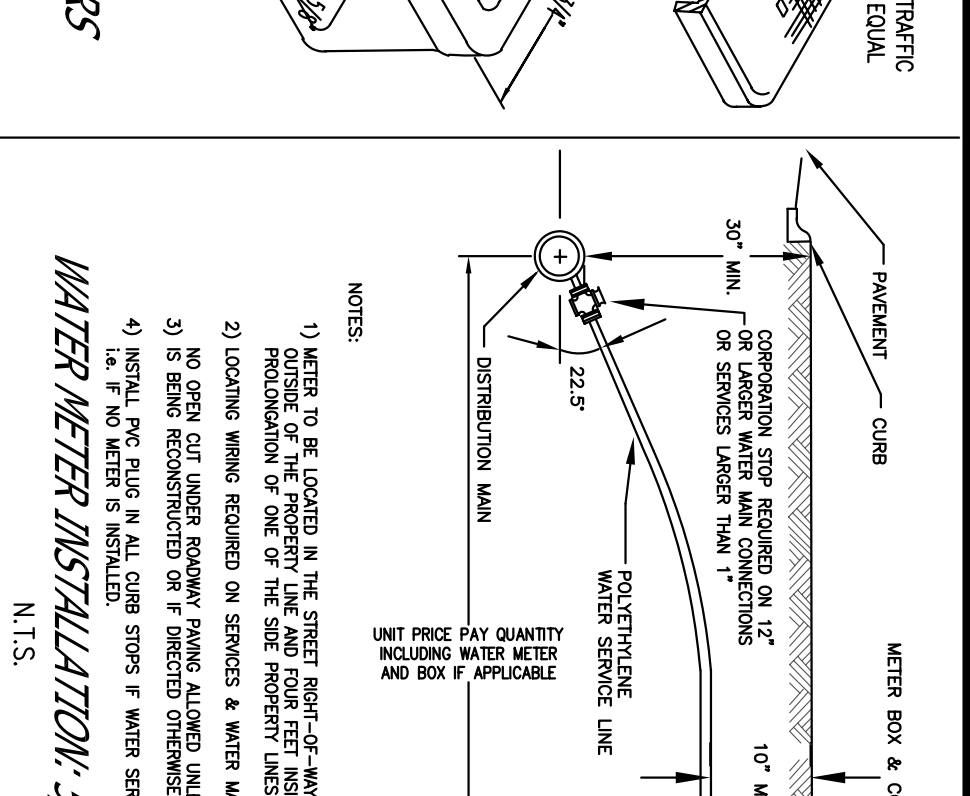
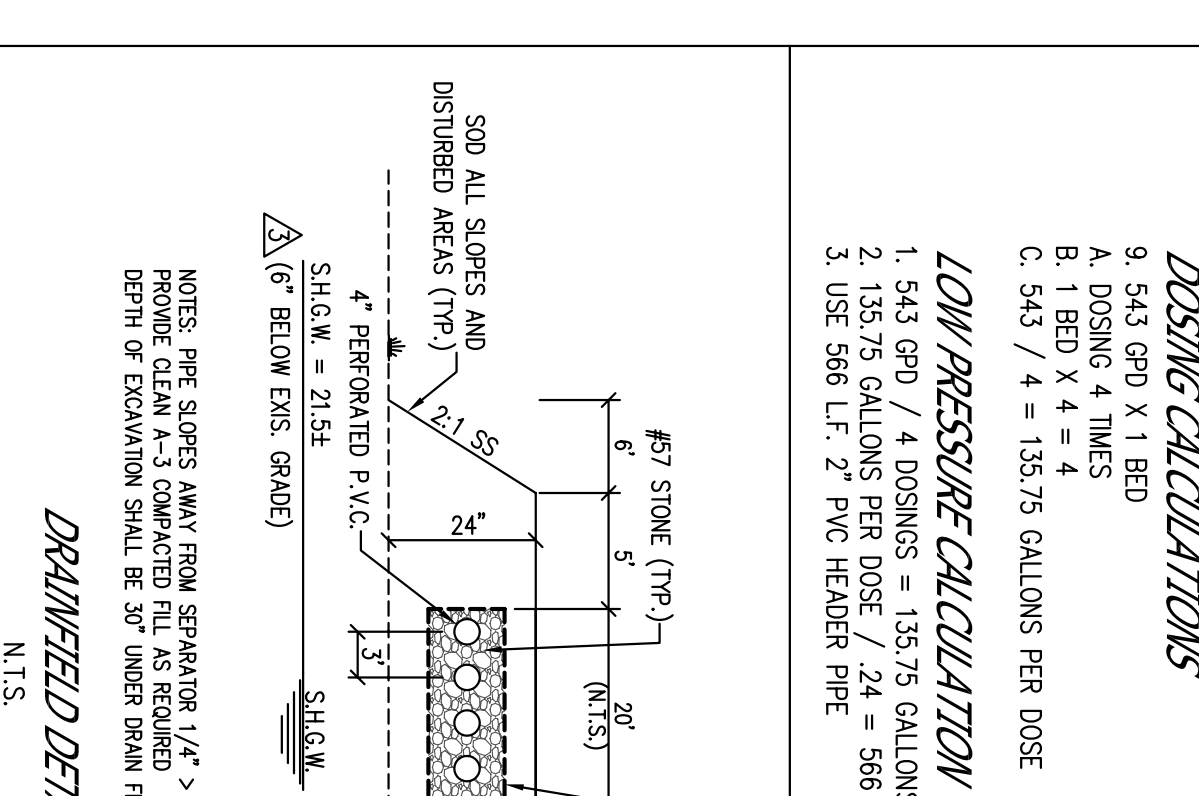
**TABLE OF DIMENSIONS**

RCP / CMP	A	B	C	D	E	F	G	RCP / CMP	H	J	K	L	M	N
15" - 18"	2'-2"	2'-1"	6"	6"	6"	1'-6"	1'-7"	15" - 18"	2'-10"	2'-4"	8"	6"	6'-10"	7'-0"
24"	2'-11"	2'-8"	6"	5"	4"	1'-11"	2'-0"	24"	3'-6"	3'-1"	7"	5"	10'-0"	10'-3"
30"	3'-6"	3'-2"	6"	6"	6"	2'-5"	2'-6"	30"	3'-9"	3'-5"	7"	5"	11'-5"	11'-8"
36"	4'-1"	3'-10"	6"	7"	5"	2'-9"	3'-0"	36"	4'-6"	4'-0"	6"	6"	14'-0"	14'-4"



**GENERAL NOTES:**

- EXISTING INFORMATION AND EXISTING TREE LOCATIONS PROVIDED BY B1 ROOTER & SONS, (904) 693-1010.
- CONSTRUCTION, DOMAINS, SHIP AND MATERIALS ARE TO CONFORM TO ALL LOCAL, STATE AND FEDERAL REQUIREMENTS.
- CONTRACTOR IS RESPONSIBLE FOR PROPER NOTIFICATION OF INSPECTING AUTHORITIES BEFORE AND DURING CONSTRUCTION.
- CONTRACTOR TO NOTIFY ENGINEER PRIOR TO COVERING BED AREA TO CERTIFY COMPLIANCE WITH APPROVED DRAWINGS.
- DRAINFIELD AREA IS TO BE FULLY STABILIZED AFTER CONSTRUCTION.
- UNSATURATED AND PROTECTED SUBSTRATE TO PROMOTE GROWTH.
- UNSATURATED AND PROTECTED SUBSTRATE TO PROMOTE GROWTH.
- UNSATURATED AND PROTECTED SUBSTRATE TO PROMOTE GROWTH.
- UNSATURATED AND PROTECTED SUBSTRATE TO PROMOTE GROWTH.
- UNSATURATED AND PROTECTED SUBSTRATE TO PROMOTE GROWTH.
- UNSATURATED AND PROTECTED SUBSTRATE TO PROMOTE GROWTH.
- UNSATURATED AND PROTECTED SUBSTRATE TO PROMOTE GROWTH.
- UNSATURATED AND PROTECTED SUBSTRATE TO PROMOTE GROWTH.
- UNSATURATED AND PROTECTED SUBSTRATE TO PROMOTE GROWTH.
- UNSATURATED AND PROTECTED SUBSTRATE TO PROMOTE GROWTH.



No.	Revisions	Date	By
1	PER JEA COMMENTS	02-09-06	WES
2	PER COU TO SET, SURVMD RAI	03-04-09	WES
3	PER HRS	03-25-09	WES
4	PER COU TO SET FINAL	03-25-09	WES
5	PER COU TO SET	04-06-09	WES
6	PER DCHD	04-27-09	WES

**THE JOHN STOKES COMPANY** (904) 321-1832  
 2424-A LYNNDALE ROAD  
 FERNANDINA BEACH, FLORIDA  
 F.L.A. CERTIFICATION NO. CGC026018

**WILLIAM E. (ED) TULLY III, INC.**  
 Consulting Civil Engineer  
 FLORIDA REG. P.E. # 36191  
 (904) 824-6371; Fax: (904) 824-9305  
 10625 Quail Ridge Drive - Ponte Vedra, FL 32081  
 Certificate of Authorization # 476

**BRIDEGROOM APOSTOLIC CHURCH**  
 S.W. CORNER OF TARLING AVENUE AND FINCH AVENUE

**DETAIL SHEET**

Date: 01-27-09  
 Scale: 1"=20'  
 Drawn: WES  
 Checked By: WET  
 Job: 09-003  
 Sheet: C6